

CABINACe-2™

A WIRELESS ACCESS POINT FROM THE SUMMIT LINE

The Telefonix PDT CabinACe-2™ Wireless Access Point (WAP) is the first commercially available ARINC 628 compliant 802.11ac, Wave 2 product for commercial aircraft wireless environments. CabinACe-2 enables the highest capacity performance and efficiency in extremely high-density environments for enhanced Wi-Fi connectivity and passenger experience.

The new CabinACe-2 small footprint and low power consumption makes it suitable for linefit or retrofit installations. With a maximum concurrent data rate of 1.73 Gbps in 5GHz and 800 Mbps in the 2.4 GHz (aggregated data rate of 2.5 Gbps) CabinACe-2 delivers best-in-class next generation performance to your airline passengers.

The CabinACe-2 leverages the latest state-of-the-art, commercial enterprise-class access point from Aruba Networks, Inc. CabinACe-2 utilizes Adaptive Radio Management (ARM) technology that will automatically assign channel and power settings, provide airtime fairness, and ensure that the AP remains clear of all sources of RF interference. Combined with active beam forming, this creates the best possible RF path, and optimizes throughput to deliver the most reliable, and efficient performance to client devices.

The CabinACe-2 WAP meets the electrical and mechanical requirements of ARINC 628P1-7. The CabinACe-2 is ready for integration into your existing IFEC Systems or to use as a starting point for creating your new system.

THE SUMMIT LINE

The Telefonix PDT Summit line of aircraft Inflight Entertainment and Connectivity (IFEC) equipment is comprised of state-of-the-art system components that offer you the premier solution set available on the market today. Summit hardware elements can easily be added to enhance your current system or can be combined to create a unique solution to meet your IFEC needs.



PRODUCT FEATURES

- Architecture based on IEEE 802.11ac, Wave 2 wireless standards
- Dual radios for 2.4 GHz and 5.8 GHz simultaneous operation, 4 x 4 MIMO, 4 spatial stream operation
- Throughput:
 - 4 spatial streams; MU-MIMO for up to 1.73 Gbps to a single client device
 - 3 spatial streams; MU-MIMO for up to 1.3 Gbps to up to three MU-MIMO capable client devices simultaneously
- Integrated antennas with adaptive beam forming for enhanced throughput capabilities
- Support for up to 255 associated client devices per radio and 16 BSSID per radio
- Fully autonomous – no need for a separate wireless controller
- Support for World Wide (-WW) operation via CLI, which can automatically configure the WAP in accordance with location information to pre-set regulatory domains stored within the AP
- Dual Gigabit Ethernet Interfaces with Layer 2 routing functionality
- Internal Ethernet switch to support Ethernet pass through for downstream WAPs
- Discrete Inputs to control remote ON/OFF and RF Enable
- Discrete Outputs to control remote ON/OFF and RF Enable to downstream WAPs
- 4x IP Address strapping bits
- Aircraft grade AC power supply unit with 200 msec of hold-up capacity
- Redundant power supply to support Ethernet pass through in the event of a power supply failure
- Lightweight and compact electro-mechanical packaging
- Connectors:
 - EN4165 style connectors for all I/O (per ARINC 628P1-7)
 - Micro USB for serial console connection to AP

L x W x H: 7.85" x 9" x 2.5"
Weight: 3.6 lbs (1.64 Kg)

HQ: 2340 Ernie Krueger Circle Waukegan, IL 60087 USA
P 1.847.244.4500 F 1.847.244.4525 info@telefonixinc.com

Copyright © 2016 Telefonix, Inc. All Rights Reserved. Telefonix and the Telefonix logo are registered trademarks of Telefonix, Inc. CabinACe and the Summit logo are trademarks of Telefonix, Inc.

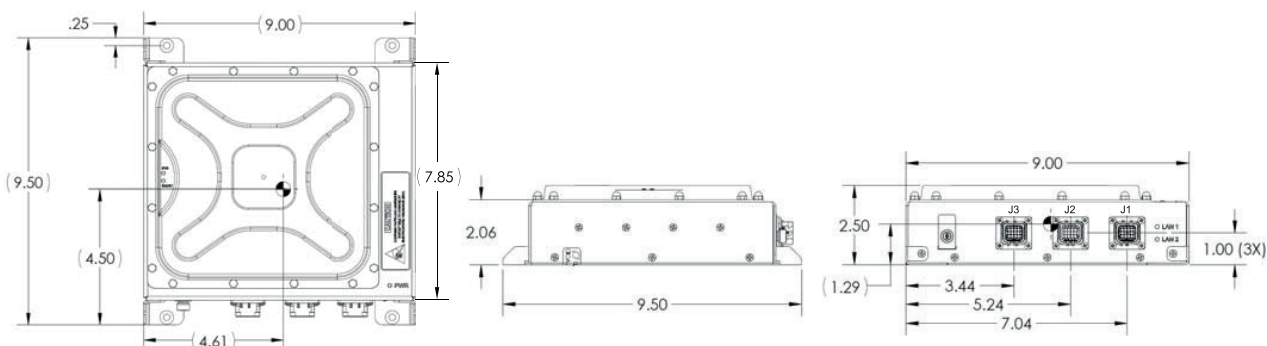


TELEFONIX PDT
telefonixpdt.com



OUTLINE DIMENSIONS

In Inches



CONNECTORS

REF DESIGNATOR	SHELL	INSERT	MATING SHELL	MATING INSERT
J1	EN4165M01AA	EN4165A20-22-1NA	EN4165M61AA	EN4165A20-22-1NB
J2	EN4165M01AB	EN4165A20-22-1NB	EN4165M61AB	EN4165A20-22-1NA
J3	EN4165M01AC	EN4165A20-22-1NA	EN4165M61AC	EN4165A20-22-1NB

ENVIRONMENTAL/EMI TEST REQUIREMENTS

DESCRIPTION	SECTION	RTCA/DO-160G CATEGORY
Temperature	Section 4	Category A1
Altitude	Section 4	Category A1
Decompression (45,000 FT)	Section 4	Category A1
Overpressure (-19,000 FT)	Section 4	Category A1
Temperature Variation (5°/min)	Section 5	Category B
Humidity	Section 6	Category A
Waterproofness (140 l/m ² /Hr)	Section 10	Category W
Fluids Susceptivity (60/40 PGW)	Section 11	11.4.1
Vibration - Random	Section 8	Category S, Curve C
Operational Shock	Section 7	Category B
Crash Safety - Impulse and Sustained	Section 7	Category B
Fungus Resistance	Section 13	Category F
Power Input	Section 16	Category A(WF)X
Voltage Spikes	Section 17	Category A
AF Conducted Susceptibility - Power Inputs	Section 18	Category R(WF)
Induced Signal Susceptibility	Section 19	Category ZW
RF Susceptibility (Conducted and Radiated)	Section 20	Category T
RF Emissions (Conducted and Radiated)	Section 21	Category M
Lightening Induced Transient Susceptibility	Section 22	Per Boeing D6-85512
Electrostatic Discharge	Section 25	Category A

Equipment specifications are updated from time to time to ensure that Telefonix PDT product designs are in line with ongoing market and technology advancements. Please contact us for the most up to date product details.



HQ: 2340 Ernie Krueger Circle Waukegan, IL 60087 USA
P 1.847.244.4500 F 1.847.244.4525 info@telefonixinc.com

Copyright © 2016 Telefonix, Inc. All Rights Reserved. Telefonix and the Telefonix logo are registered trademarks of Telefonix, Inc. CabinACe and the Summit logo are trademarks of Telefonix, Inc.

